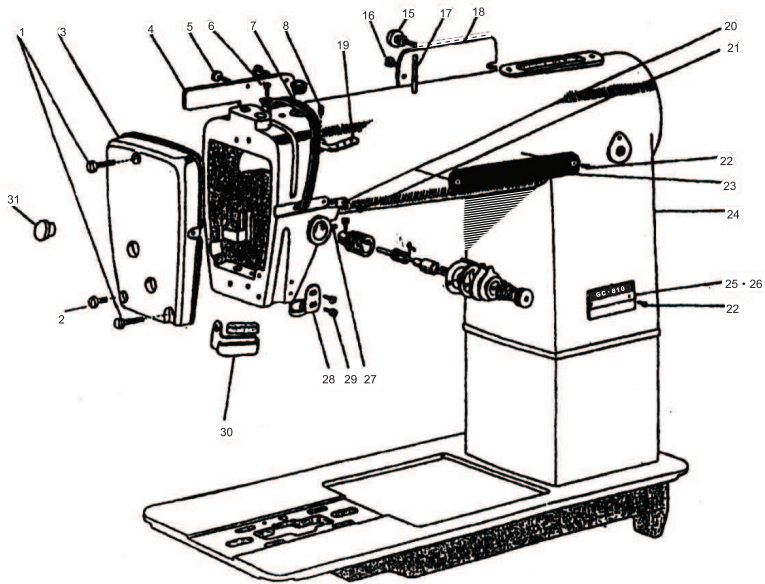


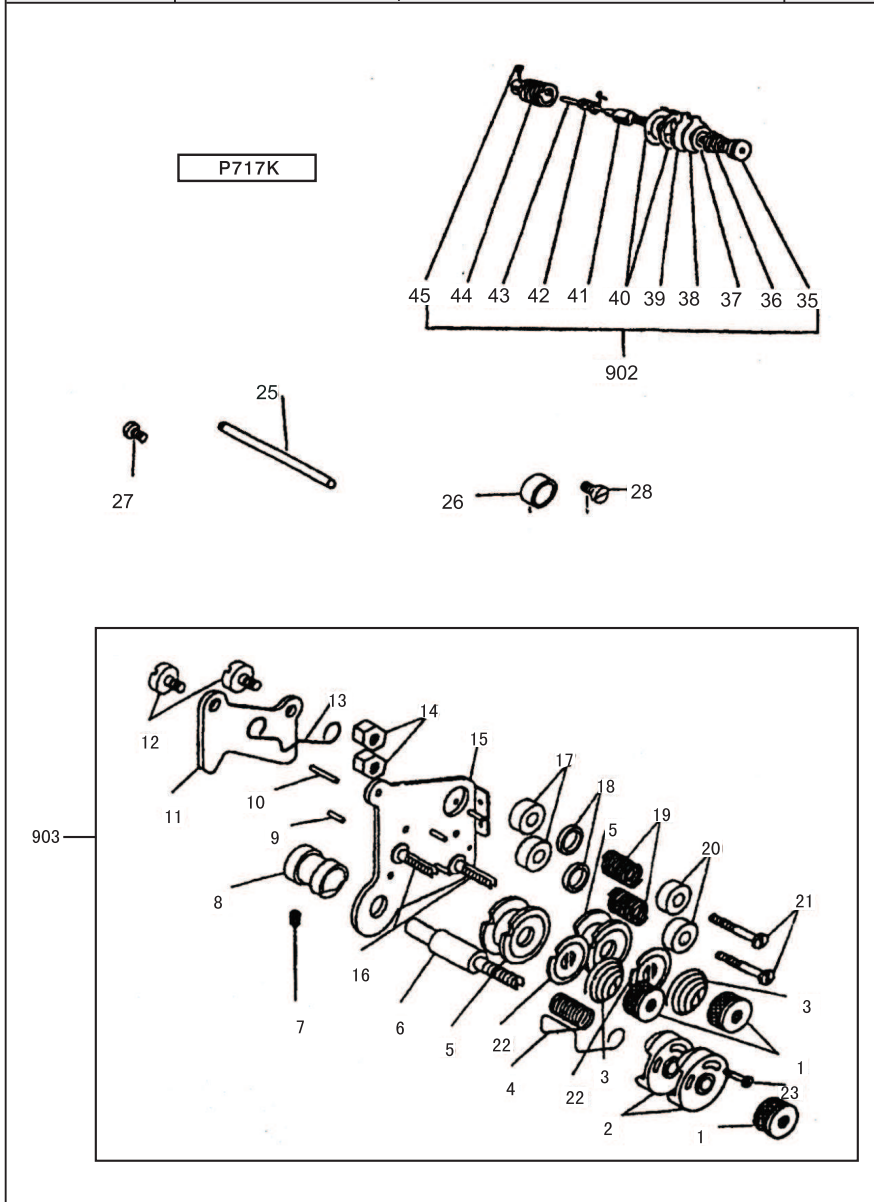
SIRUBA PARTS LIST	Series	Subject	Page
	P717K/P727K	ARM BED AND ITS ACCESSORIES 本體部分	1 / 2
			Date
			2013/6/28



SIRUBA PARTS LIST	Series	Subject	Page
	P717K/P727K	ARM BED AND ITS ACCESSORIES 本體部分	2 / 2
			Date
			2013/6/28

Fig. No.	Part No. 零件號碼	Code No. 料號	部 品 名	Name of Part	個/台 Amt.rep	
					P717K	P727K
1	8100101-000	M9 1101 004	螺絲	Screw(for Fig.3)	3	3
2	8100102-000	M9 1108 002	螺絲	Screw(for Fig.3)	1	1
3	8100103-000	MF 10A0 830	面板	Face plate	1	1
	8100103-001	MF 10A0 830	面板	Face Plate For MS-5510	1	1
4	8100104-000	MF 60A0 326	防沙板(小)	Side cover	1	1
5	8100105-000	M9 0915 003	螺絲	Screw(for Fig.4)	1	1
6	8100106-000	M9 1107 002	螺絲	Screw(for Fig.7)	1	1
7	8100107-000	MQ 50A0 584	天稱蓋	Thread take-up cover	1	1
8	8100108-000	M9 1108 001	螺絲	Set screw(for Fig.19)	1	
15	8100115-000	M9 0901 035	螺絲	Screw(for Fig.18)	1	1
16	8100116-000	M9 0908 015	螺絲	Screw(for Fig.18)	1	1
17	8100117-000	MF 10A0 186	過綫梢	Spool.pin	1	2
18	8100118-000	MF 60A0 880	防沙板(大)	Arm side cover	1	1
19	8100119-000	MF 10A0 180	三孔過綫杆	3 hole thread retainer	1	
20	8100120-000	MV 01A0 181	過綫杆	Thread guide(arm)	1	1
21	8100121-000	M9 0904 011	螺絲	Screw(for Fig.20)	1	1
22	8100122-000	M9 5001 062	牌釘	Pin(for Fig.23)	1	4
23	8100123-000		名牌	Name plate	1	2
24	8100124-000		本體	Arm and bed	1	1
25	8100125-000		型號牌	Model plate	1	
26	8100126-000		型號牌	Model plade		1
27	8100127-000	M9 1508 001	螺絲	Set screw(for Fig.902)		1
28	8100128-000	MQ 50A0 181	過綫杆(下臂)	Thred guide(under arm)	1	1
29	8100129-000	M9 1110 002	螺絲	Screw(for Fig.28)	1	1
30	8100130-000	MV 11E0 181	過綫	Thread guide		1
31	8100131-000	M9 1180 080	油塞	Rubber cork	2	2

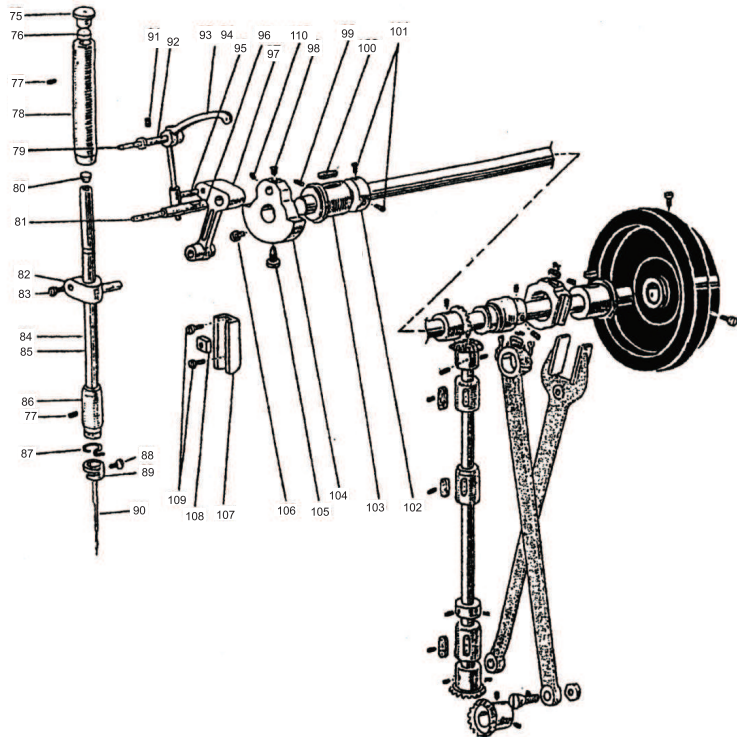
SIRUBA PARTS LIST	Series	Subject	Page
	P717K/P727K	UPPER THREAD TENSION REGULATOR MECHANISM 調節器部分	1 / 2
			Date
			2013/6/28



SIRUBA PARTS LIST	Series	Subject	Page
	P717K/P727K	UPPER THREAD TENSION REGULATOR MECHANISM 調節器部分	2 / 2
			Date
			2013/6/28

Fig. No.	Part No. 零件號碼	Code No. 料號	部 品 名 Name of Part	個/台 Amt.rep		
				P717K	P727K	
902	81003902-000	MV 01E0 210	沙拉組(單針)	Thread tension regulator Assy	1	
903	81003903-000	MV 0230 210	沙拉組(雙針)	Thread tension regulator Assy		1
1	000		螺帽	Nut	2	2
2	8100301-000		過綫盤組	Spring Guide Assy	1	2
3	8100302-001		調整彈簧	Tensin Spring	1	2
4	8100303-000		吊綫彈簧	Thread Take-up Spring	1	1
5	8100304-000		壓綫盤	Tension Disc	2	4
6	8100305-000		調整螺絲杆	Thread Tension Stud	1	1
7	8100306-000		螺絲	Screw	1	1
8	8100307-000		彈簧座	Thread Tension Regulator Bushing	1	1
9	8100308-000		鬆綫梢	Tension Releas Pin	1	1
10	8100309-000		鬆綫梢	Tension Releas Pin	1	1
11	8100310-000		彈簧板	Tension Releas Plate	1	1
12	8100311-000		螺絲	Screw	2	2
13	8100312-000		壓板彈簧	Tension Release Spring	1	1
14	8100313-000		螺帽	Nut	1	1
15	8100314-000		上綫壓力板	Upper Thread Tension Plate	1	1
16	8100315-000		調整螺絲杆	Thread Tension Stud	1	2
17	8100316-000		過綫孔套	Thread Guide Bracket	1	2
18	8100317-000		過綫孔圓盤	Thread Guide Disc	1	2
19	8100318-000		道綫彈簧	Thread Guide Spring	1	2
20	8100319-000		過綫孔內蓋	Thread Guide Cap	1	2
21	8100320-000		螺絲	Screw	1	2
22	8100321-000		綫調整壓盤	Tension disc Washer	1	2
23	8100322-000		螺絲	Screw	1	1
25	8100323-000		鬆綫梢	Tension Releasihg Pin	1	1
26	8100325-000		襯套環	Bushing	1	1
27	8100326-000		螺絲	Screw	1	1
28	8100327-000		螺絲	Screw	1	
35	8100328-000	M9 1604 046	沙拉調節螺帽	Thread tension regulating thumb	1	
36	8100335-000	MF 10A0 245	沙拉彈簧	nut	1	
37	8100336-000	MF 10A0 556	沙拉片	Thread tension spring	1	
38	8100337-000	MV 01A0 802	沙拉擋片	Thread tension releasing disc	1	
39	8100338-000	MV 01A0 558	沙拉墊片	Tension regulator stop plate	1	
40	8100339-000	MF 10A0 555	沙拉片	Tension regulator bracket	2	
41	8100340-000	MV 01A0 553	沙拉螺栓	Tension disc	1	
42	8100341-000	MV 01A0 187	沙拉拉起彈簧	Thread tension stud	1	
43	8100342-000	M9 0212 060	沙拉鬆梢	Thread take-up spring	1	
44	8100343-000	MV 01A0 709	沙拉調整襯片	Thread tension releasing pin	1	

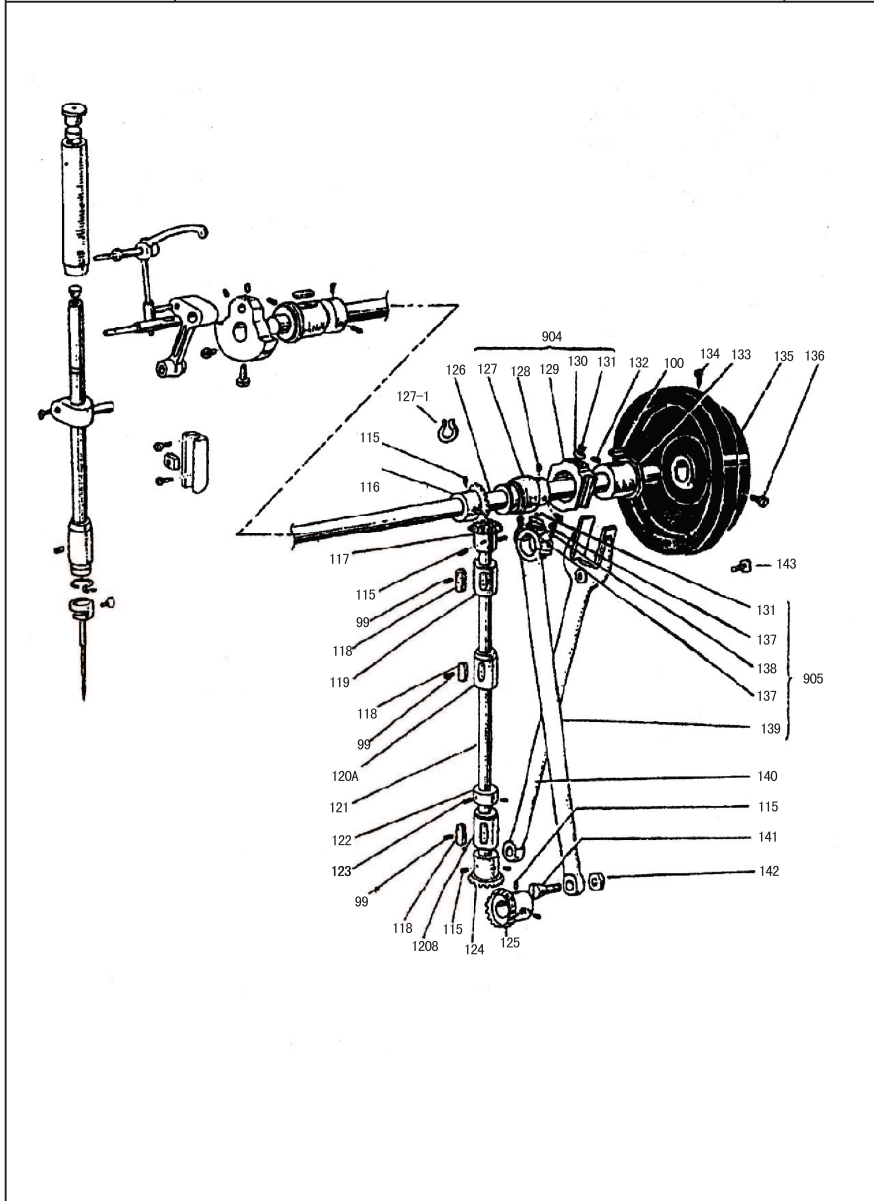
SIRUBA PARTS LIST	Series	Subject	Page
	P717K/P727K	NEEDLE BAR AND TAKE-UP LEVER MECHANISM 針棒部份	1 / 2
			Date
			2013/6/28



SIRUBA PARTS LIST	Series	Subject	Page
	P717K/P727K	NEEDLE BAR AND TAKE-UP LEVER MECHANISM 針棒部份	2 / 2
			Date
			2013/6/28

Fig. No.	Part No. 零件號碼	Code No. 料號	部 品 名 Name of Part	個/台 Amt.rep		
				P717K	P727K	
75	8100575-000	MF 60A0 742	橡膠蓋	Needle bar upper bushing cap	1	1
76	8100576-000	MF 10A2 740	羊毛氈墊片	Needle bar upper bushing cap felt	1	1
77	8100577-000	M9 1102 001	螺絲	Set screw(for Fig. 78)	2	2
78	8100578-000	MF 60A0 663	針棒套筒(筒)	Needle bar bushing(upper)	1	1
79	8100579-000	MF 10E2 148	油心	Oil wick	2	2
80	8100580-000	MN 10A1 500	塑膠塞	Plastic plug(for Fig. 84.85)	1	1
81	8100581-000	MN 10A1 740	油墊	Felt	1	1
82	8100582-000	MF 10A0 665	針棒拉基	Needle bar connecting stud	1	1
83	8100583-000	M9 0909 003	螺絲	Screw(for Fig. 82)	1	1
84	8100584-000	MV 01A0 660	單針針棒	Needle bar	1	
85	8100585-000	MV 02A0 660	雙針針棒	Needle bar		1
86	8100586-000	MF 10A0 664	針棒套筒(下)	Needle bar bushing(under)	1	1
87	8100587-000	MF 10A1 181	單針用過綫	Thread guide	1	
88	8100588-000	M9 0802 003	針榴螺絲	Needle clamp screw	1	
89	8100589-000	MF 10A2 181	單針針棒過綫	Thread guide	1	
90	8100590-000		針	Needle	1	2
91	8100591-000	M9 1516 001	螺絲	Set screw(for Fig.92)	1	1
92	8100592-000	MN 10A0 587	天秤軸	Take-up lever support stud	1	1
93	8100593-000	MP 00B0 582	單針天秤	Take-up lever	1	
94	8100594-000	MV 02A0 582	雙針天秤	Takw-up lever		1
95	8100595-000	MN 10A0 588	天秤滑棒	Take-up slide block	1	1
96	8100596-000	MN 10A0 387	連杆梢	Crank pin	1	1
97	8100597-000	MQ 50A0 661	針棒連杆	Needel bar connecting crank rod	1	1
98	8100598-000	M9 1601 001	螺絲組	Set screw(for Fig.104)	1	1
99	8100599-000	M9 1513 001	羊毛氈墊片	Set screw(for Fig.103)	3	3
100	81005100-000	MF 60A2 740	油墊	Feit	2	2
101	81005101-000	M9 1606 001	螺絲組	Set screw(for Fig.102)	2	2
102	81005102-000	MF 20A2 352	上軸組	Upper shaft collar	1	1
103	81005103-000	MQ 50A0 232	上軸襯(左)	Upper shaft bushing(left)	1	1
104	81005104-000	MV 01A0 383	曲柄	Crank	1	1
105	81005105-000	MF 20A2 352	螺絲	Set screw(for Fig.104)	1	1
106	81005106-000	M9 1801 002	螺絲	Set screw(for Fig.104)	1	1
107	81005107-000	MF 10A0 662	滑塊槽	Needle bar connecting link guide	1	1
108	81005108-000	MF 10A0 325	針棒導塊	Square block(for Fig.82)	1	1
109	81005109-000	M9 1110 002	螺絲	Screw(for Fig.107)	2	2

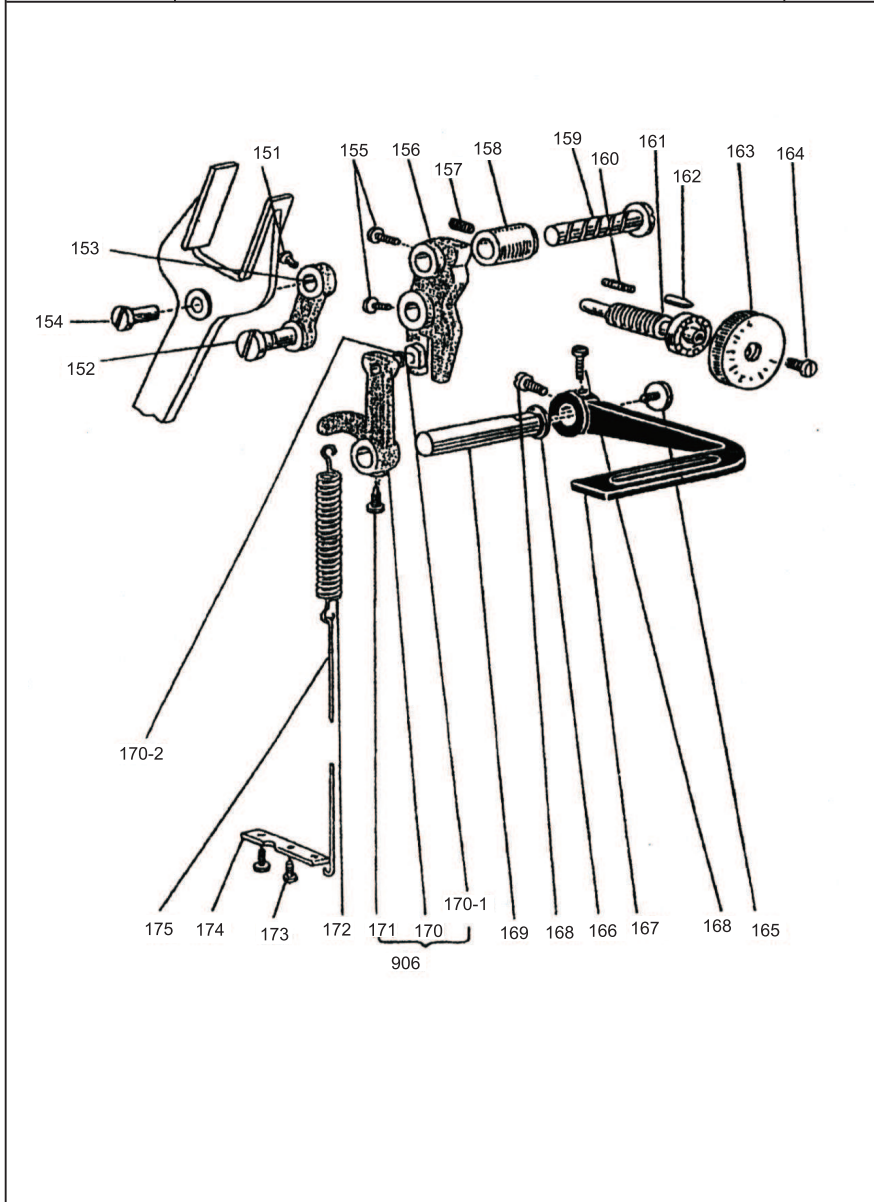
SIRUBA PARTS LIST	Series	Subject	Page
	P717K/P727K	PARTS OF UPPER SHAFT AND VERTICAL SHAFT 上軸與豎軸部分	1 / 2
			Date
			2013/6/28



SIRUBA PARTS LIST	Series	Subject	Page
	P717K/P727K	PARTS OF UPPER SHAFT AND VERTICAL SHAFT 上軸與豎軸部分	2 / 2
			Date
			2013/6/28

Fig. No.	Part No. 零件號碼	Code No. 料號	部 品 名	Name of Part	個/台 Amt.rep	
					P717K	P727K
115	81007115-000	M9 1606 001	螺絲	Set screw(for Fig.116)	1	1
116	81007116-000	MV 01A0 331	斜齒輪(上軸)	Bevel gear(upper shaft)	1	1
117	81007117-000	MF 10A0 333	豎軸齒輪	Bevel gear(vertical shaft upper)	2	2
118	81007118-000	MF 60A3 740	羊毛氈電片	Felt	1	1
119	81007119-000	MQ 70A0 521	豎軸襯套(上)	Vertical shaft bushing(upper)	2	2
120-A	81007120-00A	MF 67B0 522	豎軸襯套(中)	Vertical shaft bushing(upper)	1	1
120-B	81007120-00B	MF 67B0 522	豎軸襯套(下)	Vertical shaft bushing	1	1
121	81007121-000	MQ 70A0 520	豎軸	Vertical shaft	1	1
122	81007122-000	MF 10A0 352	豎軸套環	Vertical shaft collar	1	1
123	81007123-000	M9 1508 001	螺絲	Setscrew(for Fig.122)	1	1
124	81007124-000	MF 10A0 334	斜齒輪(豎軸)21T	Bevel gear(vertical shaft under)	1	
125	81007125-000	MF 10A0 332	斜齒輪(梭軸)18T	Bevel gear(hook shaft)		1
126	81007126-000	MV 01A0 230	上軸	Upper shaft	1	1
904	81007904-000	MV 01E0 280	凸輪進給組(毛毛組)	Feed cam Assy	1	1
127	81007127-000		凸輪進給	Feed cam	1	1
127-1	81007127-001		C型扣環	Ring	1	1
128	81007128-000	M9 1508 001	螺絲	Set screw(for Fig.127)	2	2
129	81007129-000		凸輪進給套圈	Feed cam ring	1	1
130	81007130-000	MF 60A1 740	油墊	Felt	2	2
131	81007131-000	MF 60A0 700	彈簧(S鈎)	Spring(for Fig.130)	2	2
132	81007132-000	M9 1516 001	螺絲	Set screw(for Fig.133)	1	1
133	81007133-000	MF 60A0 233	上襯套(右)	Upper shaft bushing(right)	1	1
134	81007134-000	M9 1520 002	螺絲	Set screw(for Fig.135)	2	2
135	81007135-000	MF 65B0 682	皮帶輪	Balance wheel	1	1
136	81007136-000	MN 65B0 682	螺絲	Screw(for Fig.135)	1	1
905	81007905-000	MV 01E0 384	連杆組	Crank rod Assy	1	1
137	81007137-000	M9 1203 002	螺絲	Screw(for Fig.139)	1	1
138	81007138-000	MG 30B0 740	油墊	Felt	1	1
139	81007139-000		連杆	Crank rod	1	1
140	81007140-000	MV 01A0 744	曲進連杆	Feed forked connection	1	1
141	81007141-000	M9 1803 036	連杆用螺絲	Crank rod taper screw(for Fig.139)	1	1
142	81007142-000	M9 1802 045	螺帽	Nut(for Fig.141)	1	1
143	81007143-000	M9 2201 003	螺絲	Screw	1	1

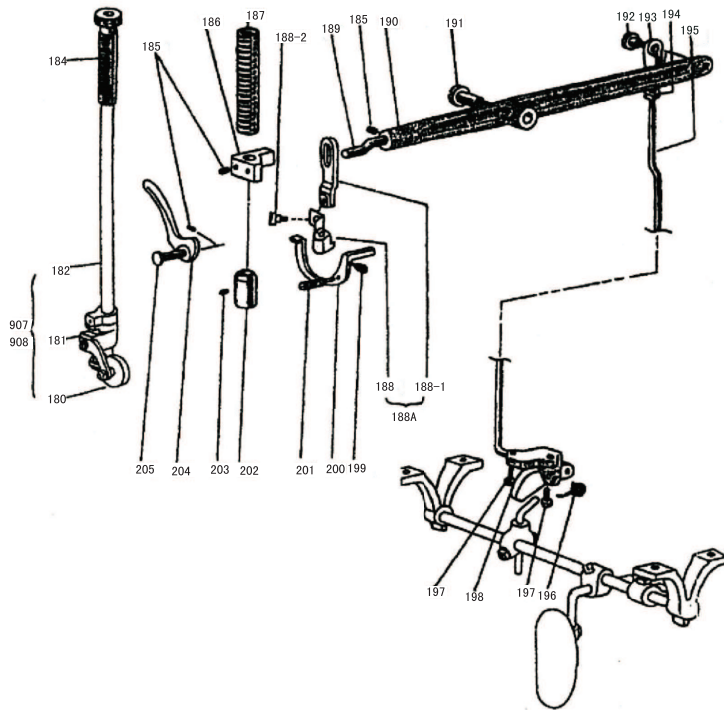
SIRUBA PARTS LIST	Series	Subject	Page
	P717K/P727K	BACKSTITCH DEVICE 倒縫機構部分	1 / 2
			Date
			2013/6/28



SIRUBA PARTS LIST	Series	Subject	Page
	P717K/P727K	BACKSTITCH DEVICE 倒縫機構部分	2 / 2
			Date
			2013/6/28

Fig. No.	Part No. 零件號碼	Code No. 料號	部 品 名 Name of Part	個/台 Amt.rep	
				P717K	P727K
151	81009151-000		螺絲 Screw	1	1
152	81009152-000	M9 0905 063	梢 Set pin(for Fig.153)	1	1
153	81009153-000	MF 10A0 153	連杆 Feed connecting link	1	1
154	81009154-000	M9 1807 015	連杆軸 SET PIN(FOR Fig.153)	1	1
155	81009155-000	M9 1504 002	螺絲 Set screw(for Fig.156)	2	2
156	81009156-000	MV 01A0 152	進給調整 Feed regulator	1	1
157	81009157-000	M9 1513 001	螺絲 Set screw(for Fig.158)	3	3
158	81009158-000	MF 10A0 750	進給調節襯套 Feed Regulator bushing	1	1
159	81009159-000	M9 0902 063	梢 Set pin(for Fig.156)	1	1
160	81009160-000	MF 10A2 572	彈簧 Spring(for Fig.162)	1	1
161	81009161-000	MV 01A0 640	針距調整螺絲 Screw-bar for(MS-5510,5520)	1	1
162	81009162-002	MF 10A0 852	檔梢 Stopper pin(for Fig.163)	1	1
163	81009163-000	MF 11D0 631	針距調整盤 Stich length regulator dial	1	1
164	81009164-000	M9 1209 002	螺絲 Screw(for Fig.163)	1	1
165	81009165-000	M9 1207 003	螺絲 Screw(for Fig.167)	1	1
166	81009166-000	M9 1003 653	彈簧華司 Spring washer(for Fig.167)	1	1
167	81009167-000	MF10A0 632	倒縫杆 Reverse sewing lever	1	1
168	81009168-000	M9 1501 002	螺絲 Setscrew(for Fig.167)	2	2
169	81009169-000	MF 60A0 633	軸 Shaft(for Fig.167)	1	1
906	81009906-000	MF 1030 635	倒縫連杆組 Reverse sewing crank Assy	1	1
170	81009170-000	MF 60A0 634	倒縫連杆 Reverse sewing lever	1	1
171	81009171-000	M9 1501 007	螺絲 Set screw(for Fig.170)	1	1
172	81009172-000	MF 60A0 572	彈簧 Spning(for Fig.170)	1	1
173	81009173-000	M9 1110 002	螺絲 Screw(for Fig.174)	2	2
174	81009174-000	MV 01A0 708	固定板 Bracket(for Fig.172)	1	1
175	81009175-000	MV 01A0 738	拉升杆 Knee lifter rod	1	1

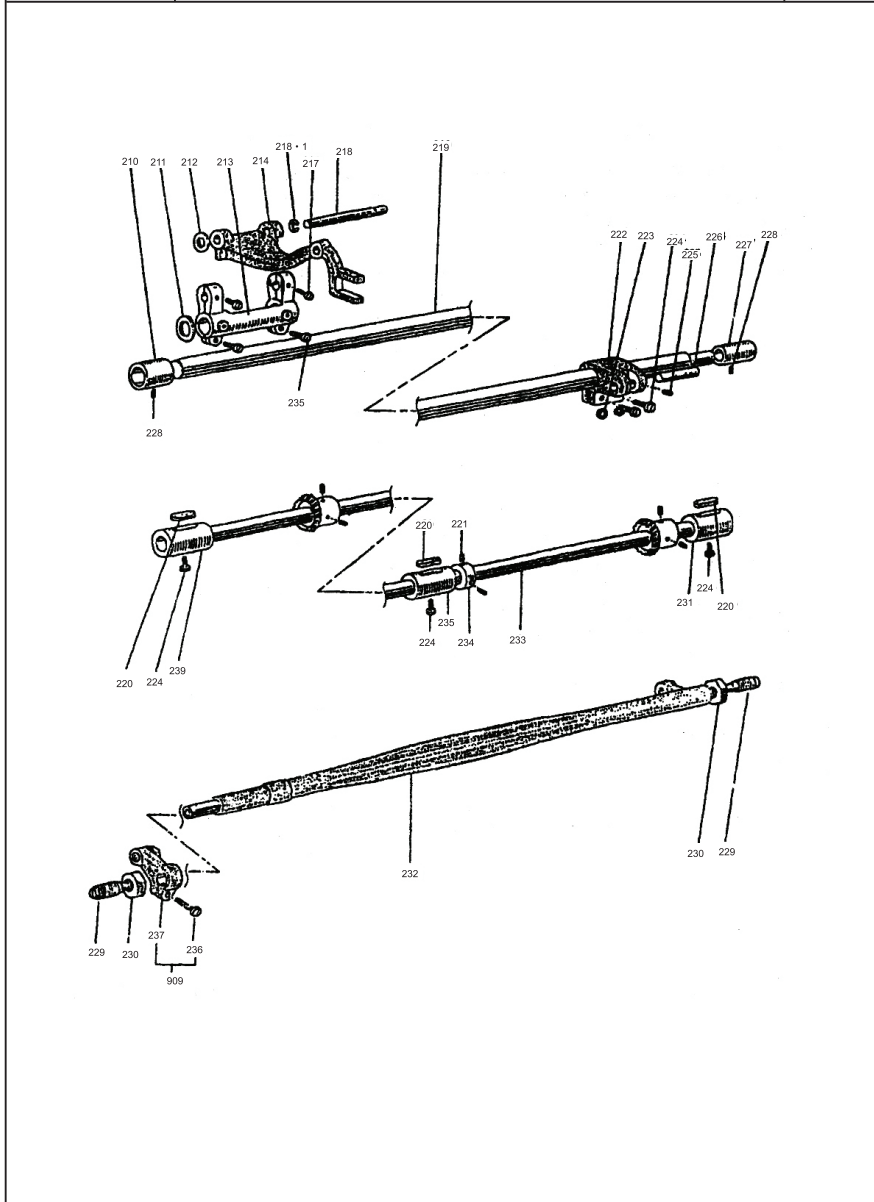
SIRUBA PARTS LIST	Series	Subject	Page
	P717K/P727K	PRESSER FOOT MECHANISM 押棒機構部分	1 / 2
			Date
			2013/6/28



SIRUBA PARTS LIST	Series	Subject	Page
	P717K/P727K	PRESSER FOOT MECHANISM 押棒機構部分	2 / 2
			Date
			2013/6/28

Fig. No.	Part No. 零件號碼	Code No. 料號	部 品 名 Name of Part	個/台 Amt.rep		
				P717K	P727K	
907	81011907-000	MV 01E0 974	押棒組	Ollerpr esser bar Assy	1	
908	81011908-000	MV 02E0 974	押棒組	Ollerpr esser bar Assy		1
180	81011180-000	MV 01E0 973	押脚組	Ollerpr eser Assy	1	
181	81011181-000	MV 02E0 973	押脚組	Ollerpr esser Assy		1
182	81011182-000	MV 01A0 262	押 棒	resser bar Assy	1	
184	81011184-000	M9 3201 035	壓力調整螺絲	resser releasing thumd screw	1	1
185	81011185-000	M9 1508 001	螺絲	Etscrew(for Fig.182,183)	3	3
186	81011186-000	MF 20A0 265	押棒導塊	resser bar holder	1	1
187	81011187-000	MV 01A0 259	彈簧	resser spring	1	1
188	81011188-000	MV 91A9 510	連杆座	Knee lifter lever link	1	1
188-1	81011188-001		連杆	Knne lifter lever link	1	1
188-2	81011188-002		螺絲	Screw(for Fig.188)	1	1
189	81011189-000	M9 0505 063	連梢	Knee lifter lever pin	1	1
190	81011190-000	MF 60A0 725	脚弓大杆	Knee lifter lever	1	1
191	81011191-000	M9 1551 016	脚弓螺絲	Knee lifter lifting lever hinge screw	1	1
192	81011192-000	M9 1505 016	螺絲	Screw(for Fig.193)	1	1
193	81011193-000	MF 40A0 591	脚弓連接梢	Knee lifter lever joint	1	1
194	81011194-000	M9 1251 045	螺帽	Knee(for Fig.195)	1	1
195	81011195-000	MV 01A0 593	脚弓杆間連接棒	Knee lifter lever connection rod	1	1
196	81011196-000	MF 60A0 726	彈簧	Spring(for Fig.198)	1	1
197	81011197-000	M9 1104 003	螺絲	Screw(for Fig.198)	2	2
198	81011198-000	MF 60A0 594	脚弓杆連接支臂	Knee lifter lever connecting rod finder	1	1
199	81011199-000	MF 10A2 245	彈簧	Spring (for Fig.200)	1	1
200	81011200-000	NV 01A0 220	鬆緊杆	Tension releasing lever	1	1
201	81011201-000	M9 1102 033	螺絲	Setscrew(for Fig.200)	1	1
202	81011202-000	MF 10A0 267	押棒襯套	Presser bar dushing	1	1
203	81011203-000	M9 1102 001	螺絲	Set screw(for Fig.202)	1	1
204	81011204-000	MF 60A0 252	押棒升起	Presser bar lifter	1	1
205	81011205-000	M9 0704 063	押棒升起梢	Presser bar lifter pin	1	1

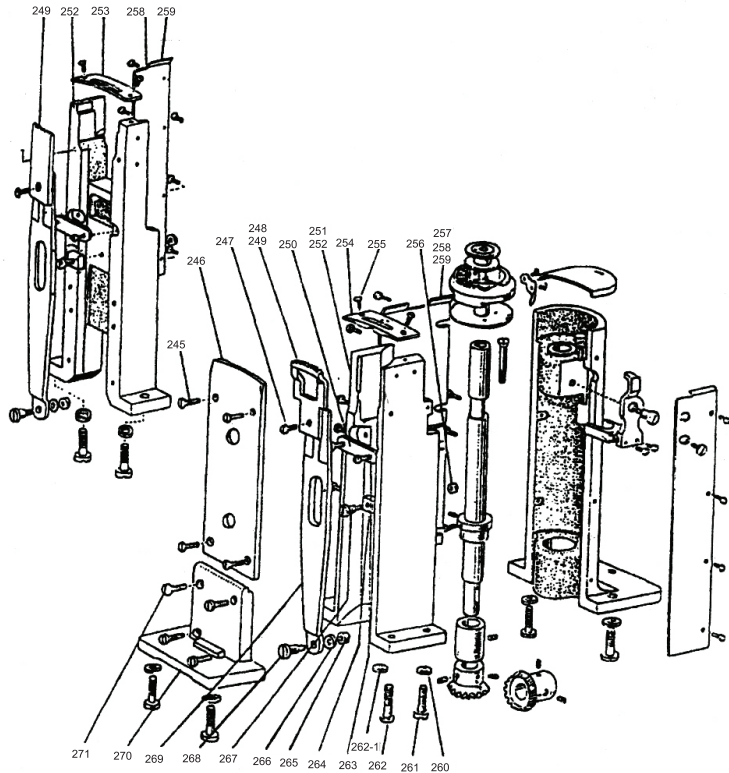
SIRUBA PARTS LIST	Series	Subject	Page
	P717K/P727K	PARTS OF BOTTOM SHAFT AND TOP/BOTTOM FEEDING 下軸上下送料部分	1 / 2
			Date
			2013/6/28



SIRUBA PARTS LIST	Series	Subject	Page
	P717K/P727K	PARTS OF BOTTOM SHAFT AND TOP/BOTTOM FEEDING 下軸上下送料部分	2 / 2
			Date
			2013/6/28

Fig. No.	Part No. 零件號碼	Code No. 料號	部 品 名 Name of Part	個/台 Amt.rep		
				P717K	P727K	
210	81013210-000	MF 10A0 286	水平軸套筒(左)	Feed rock shaft bushing(left)	1	1
211	81013211-000	M9 3001 052	墊片	Slide washer(for Fig.213)	1	1
212	81013212-000	M9 0606 050	墊片	Washer(for Fig.214)	1	1
213	81013213-000	MV 01A0 278	送料腕(左)	Feed rock shaft crank(left)	1	1
214	81013214-000	MV 01A0 281	送料土臺	Feed bar	1	1
217	81013217-000	M9 1110 002	螺絲	Set screw(for Fig.218)	2	2
218	81013218-000	MF 10A0 283	送料土臺支持軸	Feed bar shaft	1	1
218-1	81013218-001	MF 10A0 283	扣環	Ring	1	1
219	81013219-000	MF 65B0 491	水平軸	Feed rock shaft	1	1
220	81013220-000	MF 60A3 740	油墊	Felt	3	3
221	81013221-000	M9 1503 001	螺絲	Setscrew(for Fig.234)	2	2
222	81013222-000	MF 10A0 279	送料腕(右)	Feed rock shaft crank(right)	1	1
223	81013223-000	M9 0402 050	襯片	Washer(for Fig.224)	2	2
224	81013224-000	M9 1113 002	螺絲	Screw(for Fig.222)	5	5
225	81013225-000	M9 1108 001	螺絲	Set screw(for Fig.226)	1	1
226	81013226-000	M9 0901 060	送料腕、插梢(右)	Feed rock shaft connecting pin	1	1
227	81013227-000	MF 10A0 278	水平軸襯套	Feed rock shaft bushing(right)	1	1
228	81013228-000	M9 1513 001	螺絲	Screw(for Fig.227)	2	2
229	81013229-000	M9 2403 034	梢	Set pin(for feed rock crank rod)	2	2
230	81013230-000	M9 2402 045	螺帽	Nut(for Fig.229)	2	2
231	81013231-000	MV 01A0 452	軸襯套	Rotation hook shaft bushing(right)	1	1
232	81013232-000	NV 01A0 460	送料軸	Feed lifting rock shaft	1	1
233	81013233-000	MQ 70A0 450	下軸	Rotating hook shaft	1	1
234	81013234-000	MF 10A0 352	套環	Collar(for Fig.233)	1	1
235	81013235-000	MQ 70A0 452	下軸襯套(中)	Rotating hook shaft bushing(middle)	1	1
909	81013909-000		送料軸連杆組(左)	Feed lifting rock shaft crank(left)Assy	1	1
236	81013236-000	M9 1113 002	螺絲	Screw(for Fig.237)	1	1
238	81013238-000	M9 1112 002	螺絲	Screw(for Fig.213)	1	1
239	81013239-000	MF 67B0 451	下軸襯套	Rotatinf hook shaft bushing(left)	1	1

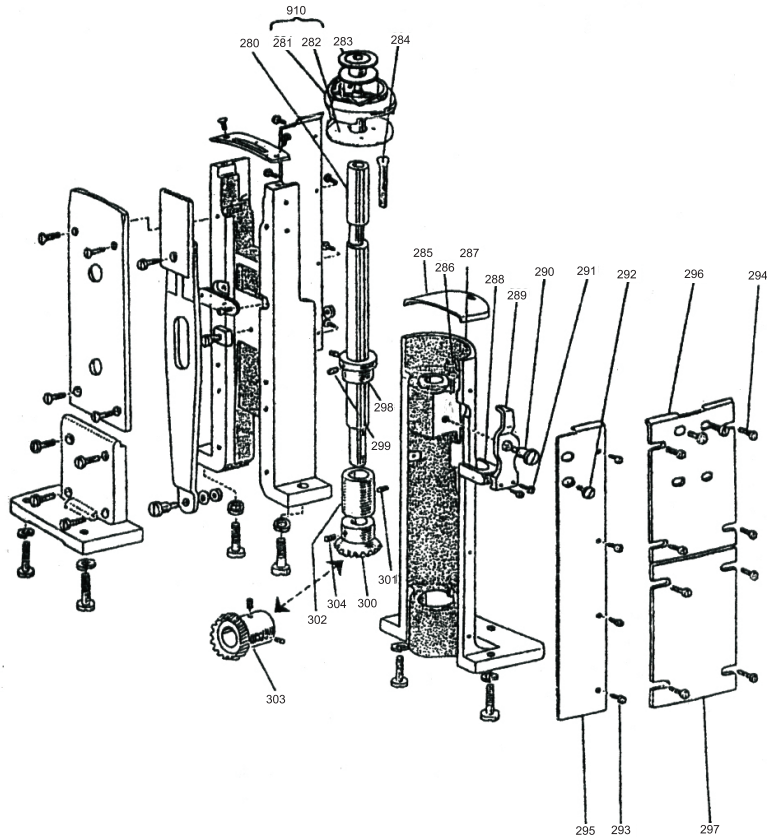
SIRUBA PARTS LIST	Series	Subject	Page
	P717K/P727K	HOOK MECHANISM 梭頭機構部分	1 / 2
			Date
			2013/6/28



SIRUBA PARTS LIST	Series	Subject	Page
	P717K/P727K	HOOK MECHANISM 梭頭機構部分	2 / 2
			Date
			2013/6/28

Fig. No.	Part No. 零件號碼	Code No. 料號	部 品 名 Name of Part	個/台 Amt.rep	
				P717K	P727K
245	81015245-000	M9 1110 002	螺絲 Screw(for Fig.246)	4	
246	81015246-000	MV 01A0 339	後蓋板 Rear cover plate	1	
247	81015247-000	M9 1107 002	螺絲 Screw(for Fig.248.249)	1	1
248	81015248-000	MV 01A0 104	狗齒 Feed dog	1	
249	81015249-000	MV 0200 104	狗齒 Feed dog(1/16)		1
250	81015250-000	MV 01A0 429	壓板 Supporter plate	1	1
251	81015251-000	MQ 70A0 603	中座 Feed plate set bracket	1	
252	81015252-000	MV 02A0 603	中座 Feed plate set bracket		1
253	81015253-000	MV 01A0 101	針板(單針) Needle plate	1	
254	81015254-000	MV 0200 101	針板(1/16)雙針 Needle plate (1/16)		1
255	81015255-000	M9 0911 011	螺絲 Screw(for Fig.253.254)	2	2
256	81015256-000	M9 1251 045	螺帽 Nut	1	1
257	81015257-000	MQ 70A0 339	蓋板 Cover plate	1	
258	81015258-000	MV 02A1 339	蓋板(上後) Cover plate		1
259	81015259-000	MV 02A0 339	蓋板(下後) Cover plate(lower)		1
260	81015260-000	M9 0801 053	彈墊片 Spring washer	6	8
261	81015261-000	M9 2051 003	螺絲 Screw(for Fig.252)	6	6
262	81015262-000		螺絲 Screw(for Fig.250)	2	2
262-1	81015262-001		墊片 Washer	1	1
263	81015263-000	M9 1120 011	螺絲 Screw(for Fig.250)	2	2
264	81015264-000	MV 01A0 325	送料板滑塊 Square block	1	1
265	81015265-000	M9 1103 045	螺帽 Nut	1	1
266	81015266-000	M9 0502 053	彈簧華司 Spring washer	1	1
267	81015267-000	M9 1252 016	螺絲 Screw	1	1
268	81015268-000	M9 1112 015	螺絲 screw	1	1
269	81015269-000	MV 01A0 272	送料板 Feed plate	1	1
270	81015270-000	MQ 7010 563	直角臺 Side cover plate bracket	1	1
271	81015271-000	M9 1112 002	螺絲 Screw(for Fig.270)	4	

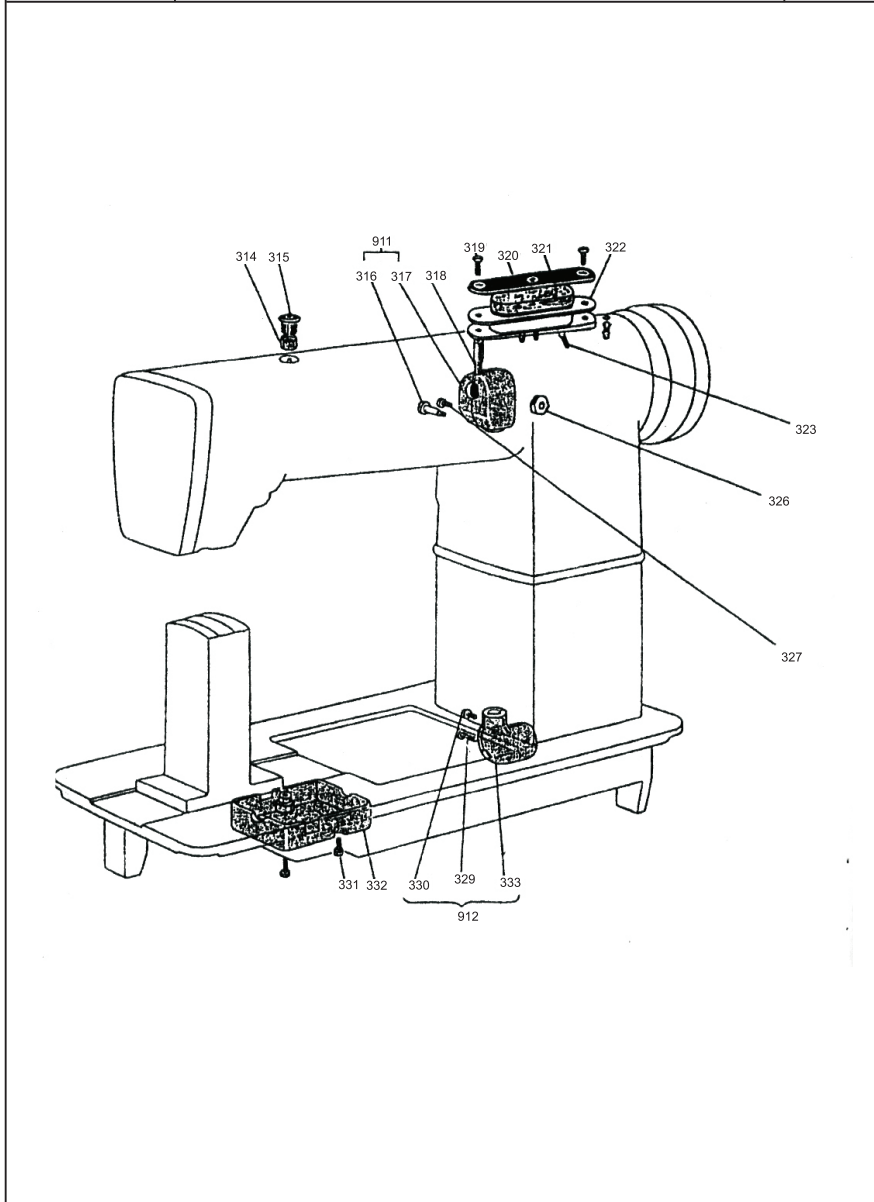
SIRUBA PARTS LIST	Series	Subject	Page
	P717K/P727K	HOOK MECHANISM 梭頭機構部分	1 / 2
			Date
			2013/6/28



SIRUBA PARTS LIST	Series	Subject	Page
	P717K/P727K	HOOK MECHANISM 梭頭機構部分	2 / 2
			Date
			2013/6/28

Fig. No.	Part No. 零件號碼	Code No. 料號	部 品 名 Name of Part	個/台 Amt.rep	
				P717K	P727K
280	81017280-000	MV 01A0 355	梭頭軸 Hook shaft	1	2
910	81017910-000	MV 01A0 120	梭頭組 Hook Assy	1	2
281	81017281-000		梭頭 Hook	1	2
282	81017282-000		護針片 Noodle bracket	1	2
283	81017283-000	MF 10A0 123	梭子 Bobin	1	2
284	81017284-000	M9 0904 010	螺絲 Screw(for Fig.280)	1	2
285	81017285-000	MQ 70A0 470	滑蓋 Slide plate	1	2
286	81017286-000	MG 2300 740	油墊 Felt	1	2
287	81017287-000	MV 01A0 356	梭頭軸支座 Hook shaft supporter	1	2
288	81017288-000	MV 01A0 303	牛角底座 Rotating hook opener bracket	1	2
289	81017289-000	MV 01A0 300	牛角 Rotating hook opener	1	1
290	81017290-000	M9 1809 015	螺絲 Screw(for Fig.289)	1	2
291	81017291-000	M9 0912 002	螺絲 Screw(for Fig.289)	2	4
292	81017292-000	M9 1113 003	螺絲 Screw	1	2
293	81017293-000	M9 0903 010	螺絲 Screw (for Fig.295-297)	8	
294	81017294-000	M9 0920 003	螺絲 Screw (for Fig.295-297)		16
295	81017295-000	MV 01A1 339	蓋板 Cover plate	1	
296	81017296-000	MV 02A2 339	蓋板 Cover plate		1
297	81017297-000	MV 02A0 339	蓋板 Cover plate		1
298	81017298-000	MQ 70A0 352	梭頭杆套環 Hook shaft collar	1	2
299	81017299-000	M9 1651 001	螺絲 Set screw(for Fig.298)	2	4
300	81017290-000	MQ 70A0 330	斜齒輪 Bevel gear	1	2
301	81017301-000	M9 1109 001	螺絲 Set screw(for Fig.302)	1	2
302	81017302-000	MQ 70A0 341	梭頭軸襯套 Hook shaft bushing	1	2
303	81017303-000	MQ 70A1 330	梭頭軸斜齒輪 Hook shaft bevel gear(lower)	1	2
304	81017304-000	M9 1606 001	螺絲 Set screw(for Fig.303)	4	8






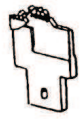

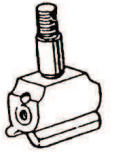



SIRUBA PARTS LIST	Series	Subject	Page
	P717K/P727K	OIL LUBRICATION MECHANISM 給油機構部分	1 / 2
			Date
			2013/6/28



SIRUBA PARTS LIST	Series	Subject	Page
	P717K/P727K	OIL LUBRICATION MECHANISM 給油機構部分	2 / 2
			Date
			2013/6/28

Fig. No.	Part No. 零件號碼	Code No. 料號	部 品 名	Name of Part	個/台 Amt.rep	
					P717K	P727K
314	81019314-000	MF 60A5 740	油棉	Felt	1	1
315	81019315-000	MF 60A0 133	油蓋(左)	Oil cap(left)	1	1
911	81019911-000	MF 60E0 711	齒輪箱(上組)	Gear box(upper set)	1	1
316	81019316-000	M9 1851 002	螺絲	Screw(for gear box)	1	1
317	81019317-000		齒輪箱	Gear box	1	1
318	81019318-000	M9 0603 060	上齒箱梢	Gear box(upper)pin	1	1
319	81019319-000	M9 0906 011	螺絲	Screw (for Fig320)	2	2
320	81019320-000	MF 60A0 134	蓋板	Cover plate	1	1
321	81019321-000	MF 60A4 740	油棉	Felt	1	1
322	81019322-000	MF 60A0 139	油棉槽	Oil tank(right)	1	1
323	81019323-000	MF 10E2 148	2.5 φ *150油棉心	Oil wick	2	2
326	81019326-000	M9 1110 002	螺絲	Screw	1	1
327	81019327-000	M9 1503 002	螺絲	Screw	1	1
912	81019912-000	MQ 50E0 712	齒輪箱(下組)	Gear box(lower set)	1	1
329	81019329-000	M9 1851 002	螺絲	Screw	1	1
330	81019330-000	M9 1503 002	螺絲	Screw	1	1
331	81019331-000	M9 1113 002	螺絲	Screw(for Fig.332)	2	2
332	81019332-000	MQ 70A0 710	齒輪箱	Gear box(lower)	1	1
333	81019333-000		齒輪箱	Gear box(lower set)	1	1

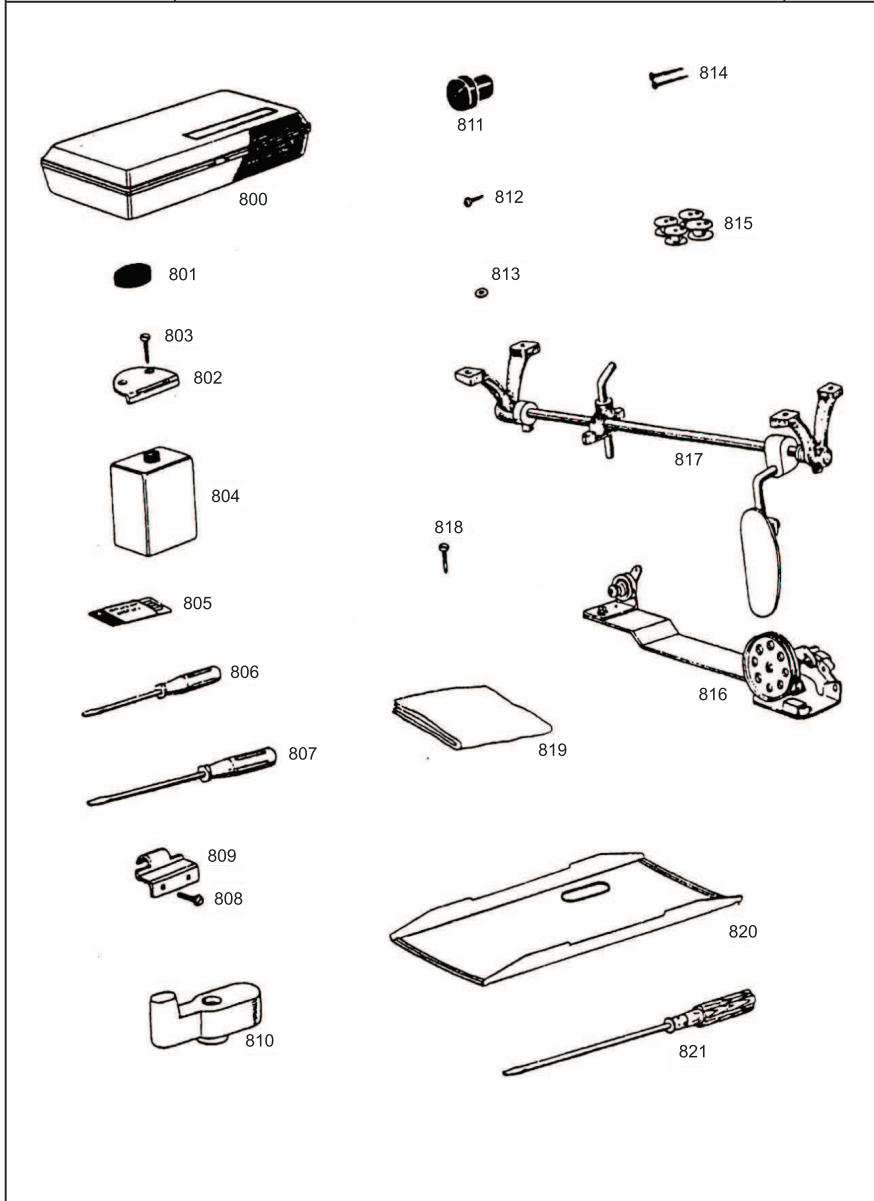
SIRUBA PARTS LIST	Series	Subject	Page
	P717K/P727K	GAUGE PARTS 零件部分	1 / 2
			Date
			2013/6/28

	600~604		617~619
	606~607		620~622
	505		608
	609~612		613
	614		615
	616		

SIRUBA PARTS LIST	Series	Subject	Page
	P717K/P727K	GAUGE PARTS 零件部分	2 / 2
			Date
			2013/6/28

Fig. No.	Part No. 零件號碼	Code No. 料號	部 品 名	Name of Part	Gauge Size										
					3/64		1/16		3/32		1/8		1/4		
					1	12	16	24	32	64					
600	81021600-000	MV 02J0 101	針板	Needle plate	1										
601	81021601-000	MV 02J1 101	針板	Needle plate		1									
602	81015054-000	MV 02J2 101	針板	Needle plate			1								
603	81021603-000	MV 02J3 101	針板	Needle plate					1						
604	81021604-000	MV 02J4 101	針板	Needle plate							1				
605	81021605-000	MV 02J8 101	針板	Needle plate										1	
606	81015249-000	MV 02J0 101	狗齒	Feed dog	1	1	1	1							
607	81021607-000	MV 02J4 104	狗齒	Feed dog							1				
608	81021608-000	MV 02J8 104	狗齒	Feed dog										1	
609	81021609-000	MV 02J0 102	針樞	Needle clamp	1	1									
610	81021610-000	MV 02J2 102	針樞	Needle clamp			1								
611	81021611-000	MV 02J3 102	針樞	Needle clamp					1						
612	81021612-000	MV 02J4 102	針樞	Needle clamp							1				
613	81021613-000	MV 02J8 102	針樞	Needle clamp										1	
614	81021614-000	MV 02J0 102	押脚	Presser foot	1	1	1	1	1	1					
615	81021615-000	MV 02J0 105	押脚	Presser foot										1	
616	81021616-000	MV 02A0 103	針檔	Needle guide	1	1	1								
617	81021617-000	MV 02A0 103	針檔	Needle guide	1	1	1								
618	81021618-000	MV 02J3 103	針檔	Needle guide					1						
619	81021619-000	MV 02J4 103	針檔	Needle guide										1	
620	81021620-000	M9 6601 052	墊片0.6t	Washer	1	1								1	
621	81021621-000	M9 6602 052	墊片0.8t	Washer				1							
622	81021622-000	M9 6603 052	墊片1.2t	Washer						1	1				

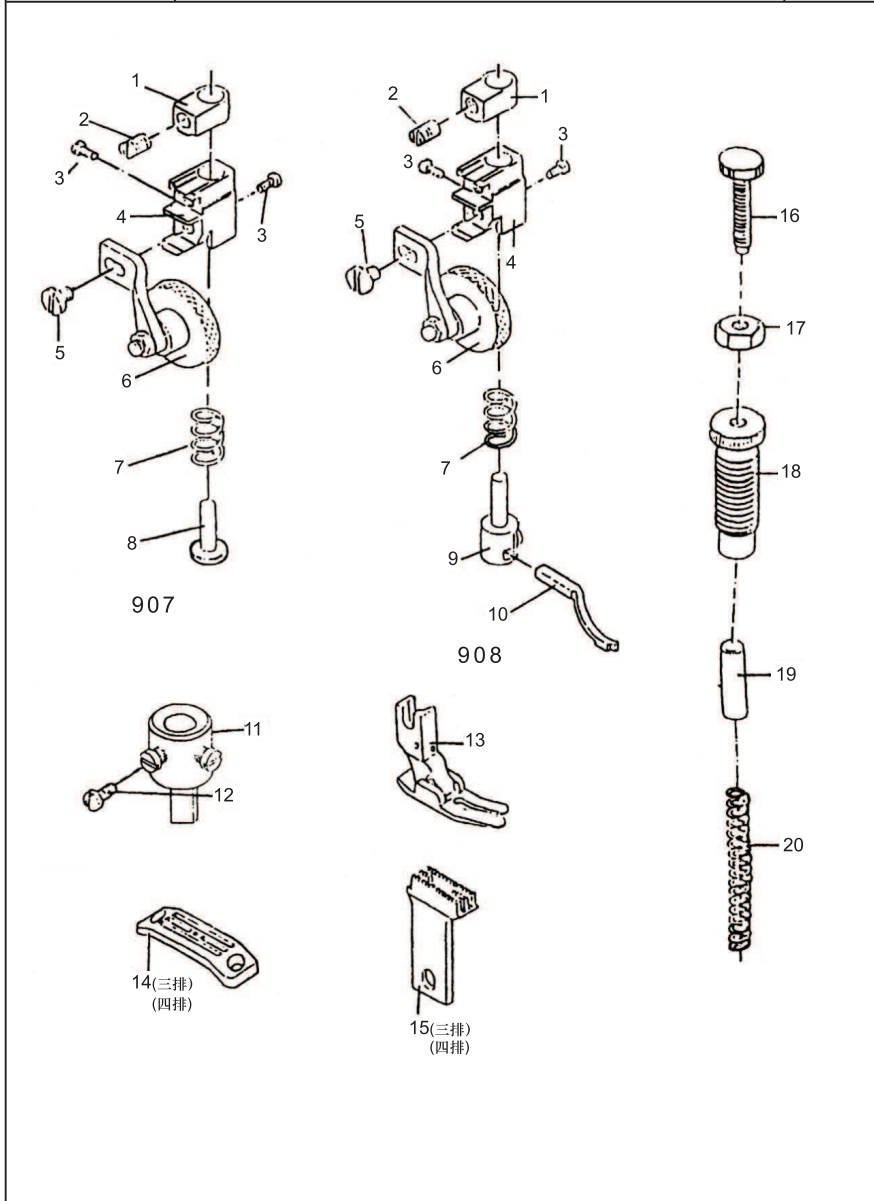
SIRUBA PARTS LIST	Series	Subject	Page
	P717K/P727K	ACCESSORIES 配件	1 / 2
			Date
			2013/6/28



SIRUBA PARTS LIST	Series	Subject	Page
	P717K/P727K	ACCESSORIES 配件	2 / 2
			Date
			2013/6/28

Fig. No.	Part No. 零件號碼	Code No. 料號	部 品 名	Name of Part	個/台 Amt.rep	
					P717K	P727K
800	81023800-000	MF 60A5 749	附件盒	Accessory box	1	1
801	81023801-000	MF 60A0 419	橡膠墊	Vibration preventing rubbers	4	4
802	81023802-000	MN 10A0 561	後鈕片	Hinge(2)	2	2
803	81023803-000	M9 0501 040	螺絲	Screw	4	4
804	81023804-000	MF 60A0 137	油壺	Oiler(large)	1	1
805	81023805-000		針#16	Needle	4	6
806	81023806-000	MB 02A1 608	螺絲起子(小)	Screw driver(small)	1	1
807	81023807-000	MB 02A0 608	螺絲起子(中)	Screw driver(middle)	1	1
808	81023808-000	M9 1601 003	後鈕螺絲	Screw	4	4
809	81023809-000	MN 10A0 060	後鈕扣	Hinge(1)	2	2
810	81023810-000	MV 01A0 778	壓墊	Bed presser	1	1
811	81023811-00A	M9 0570 080	柱塞	Rubber plug	1	1
812	81023812-000	M9 0401 041	螺絲	Screw	2	2
813	81023813-000	M9 0608 050	華司	Washer	2	2
814	81023814-000		螺釘	Nail	8	8
815	81023815-000	MN 10A0 123	梭子	Bobbin	4	6
816	81023816-000	MF 20E0 190	卷綫架	Bobbing winder	1	1
817	81023817-000	MV 01E0 727	腳弓組	Knee lifter	1	1
818	81023818-000	M9 0501 040	螺絲	Screw	1	1
819	81023819-000	MF 60A0 734	車頭蓋	Vinly cover	1	1
820	81023820-000	MQ 70A0 131	油盤	Oil reservoir	1	1
821	81023821-000	MF 60A0 608	螺絲起子(大)	Screw driver(large)	1	1

SIRUBA PARTS LIST	Series	Subject	Page
	P717K/P727K	SPECIAL PARTS 特別配件組	1 / 2
			Date
			2013/6/28

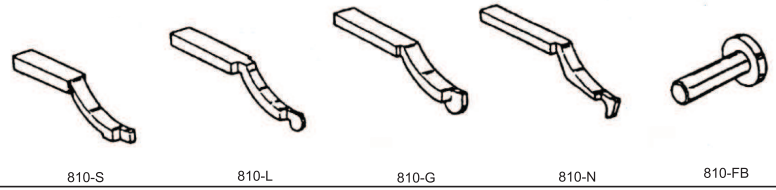


SIRUBA PARTS LIST	Series	Subject	Page
	P717K/P727K	SPECIAL PARTS 特別配件組	2 / 2
			Date
			2013/6/28

Fig. No.	Part No. 零件號碼	Code No. 料號	部 品 名 Name of Part	個/台 Amt.rep	
				P717K	P727K
1	8102501-000		輪綫上座 Roller presser Holder(up)	1	1
2	8102502-000		螺絲 Screw (For Fig.11)	1	1
3	8102503-000		螺絲 Screw (For Fig.4)	1	1
4	8102504-000		輪綫下座 Roller presser Holder(down)	1	1
5	8102505-000		螺絲 Screw (For Fig.4)	1	1
6	8102506-000		輪綫組 Roller Presser	1	1
7	8102507-000		彈簧 Spring	1	1
8	8102508-000		固定梢 Pin	1	
9	8102509-000		押腳座 Presser Foot Holder		1
10	8102510-000		押腳 Presser Foot 3/32°		1
11	8102511-000		押腳底座 Presser Foot Holder		1
12	8102512-000		螺絲 Screw		
13	8102513-000		押腳 Presser Foot		1
14	8102514-000		針板 (三排) Needle Diate		1
14-1	8102514-001		針板 (四排) Needle Diate		1
15	8102515-000		狗齒 (三排) Needle Diate		1
15-1	8102515-001		狗齒 (四排) Needle Diate		1
16	8102516-000		調整螺絲 Adjuseing Screw	1	1
17	8102517-000		螺帽 Nut	1	1
18	8102518-000		調整螺絲 Presser releasing thumb screw	1	1
19	8102519-000		壓力梢 Pin	1	1
20	8102520-000		彈簧 Spring	1	1

SIRUBA PARTS LIST	Series	Subject	Page
	P717K/P727K	SPECIAL PARTS 特別配件組	1 / 2
			Date
			2013/6/28

FOR P717K



FOR P727K

